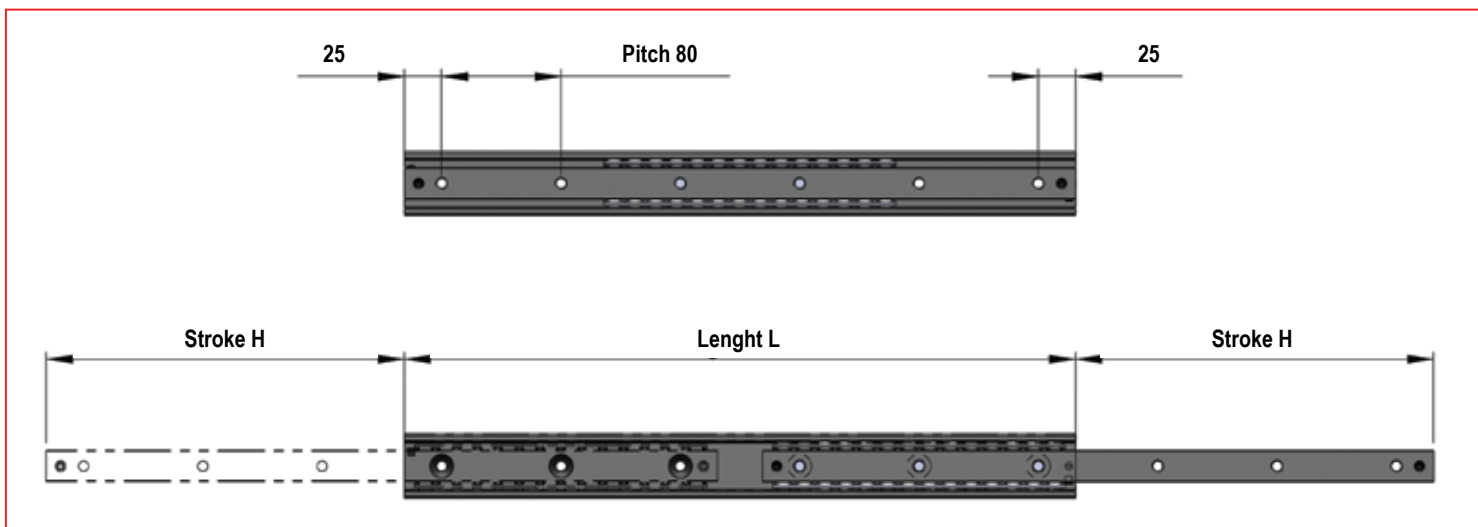


The semi-telescopic slides SR28 allow for a stroke H, equal to the half the length of the slide, plus a minor stroke 10-25mm depending on type.

The slides can too perform an equal stroke to the other side, removing the small screw positioned at the left side.

The version SRX28 for high corrosion resistance, have all components in INOX, except the profiles. SXR28 have same dimensions and performance as SR28.

The load capacities are all referred to a single slide, with load at the centered position.



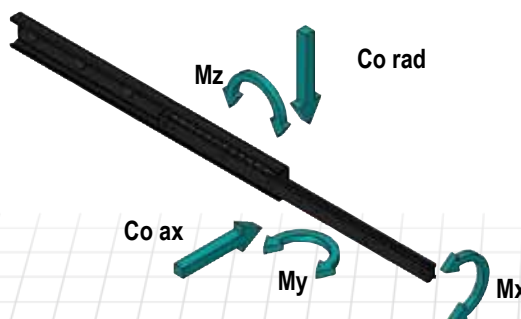
Code	Length L (mm)	Stroke H (mm)	Coeff.dyn. C (N)	Load-moment capacities					Weight (kg)
				Co rad (Nm)	Co ax (Nm)	Mx (Nm)	My (Nm)	Mz (Nm)	
SR.28-130	130	68	872	639	374	13	15	27	0,25
SR.28-210	210	112	1544	1139	665	23	46	80	0,40
SR.28-290	290	156	2217	1639	958	33	94	161	0,55
SR.28-370	370	200	2891	2140	1251	43	158	270	0,70
SR.28-450	450	235	3934	2949	1724	55	260	446	0,86
SR.28-530	530	279	4607	3450	2017	65	361	618	1,01
SR.28-610	610	314	5666	4276	2499	78	510	873	1,16
SR.28-690	690	358	6337	4774	2791	88	648	1109	1,31
SR.28-770	770	393	7403	5608	3278	100	843	1443	1,46
SR.28-850	850	437	8072	6105	3569	110	1018	1742	1,62
SR.28-930	930	472	9142	6943	4059	122	1259	2154	1,77
SR.28-1010	1010	516	9810	7438	4348	132	1471	2516	1,92
SR.28-1090	1090	560	10480	7934	4638	142	1699	2906	2,07
SR.28-1170	1170	595	11550	8774	5129	155	2007	3433	2,22

The nominal load capacities and moment capacities, above listed, are only valid for central positioned loads/moments = the central point of mobile part when fully extended.

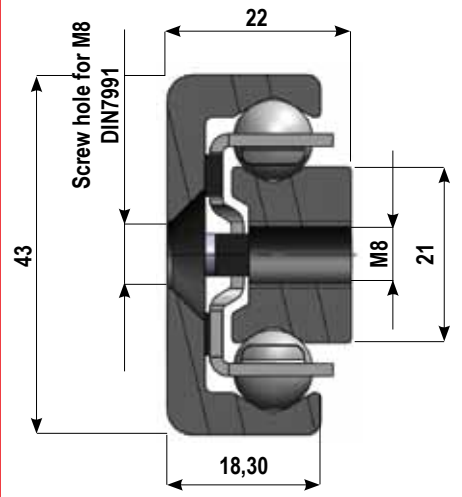
Customized versions with longer or shorter stroke can easily be obtained.

With 75% extension compared to standard 50% the load capacity is ca. 20% of above figures,

Ex. SR28-1010 with 760mm stroke one or both side offer a load capacity of N1468 .



Semi-telescopic slides SR43, SRX43

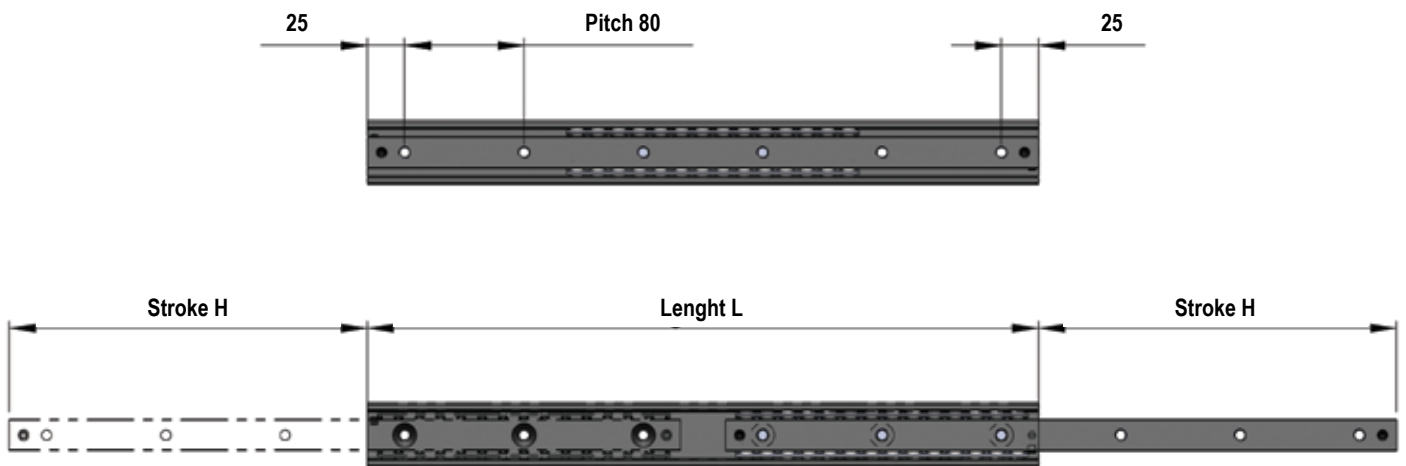


The semi-telescopic slides SR43 allow for a stroke H, equal to the half the length of the slide, plus a minor stroke 10-25mm depending on type.

The slides can too perform an equal stroke to the other side, removing the small screw positioned at the left side.

The version SRX43 for high corrosion resistance, have all components in INOX, except the profiles. SXR43 have same dimensions and performance as SR43.

The load capacities are all referred to a single slide, with load at the centered position.



Code	Lenght L (mm)	Stroke H (mm)	Coeff.dyn. C (N)	Load-moment capacities					Weight (kg)
				Co rad (Nm)	Co ax (Nm)	Mx (Nm)	My (Nm)	Mz (Nm)	
SR.43-210	210	116	2232	1497	966	99	75	117	1,0
SR.43-290	290	154	3817	2615	1688	152	176	272	1,4
SR.43-370	370	206	4496	3055	1972	187	266	412	1,7
SR.43-450	450	244	6107	4197	2709	239	436	675	2,1
SR.43-530	530	282	7746	5368	3464	292	647	1003	2,5
SR.43-610	610	320	9403	6556	4232	344	901	1396	2,9
SR.43-690	690	358	11072	7757	5006	397	1196	1853	3,2
SR.43-770	770	410	11693	8138	5253	432	1416	2194	3,6
SR.43-850	850	448	13358	9334	6025	484	1781	2759	4,0
SR.43-930	930	486	15030	10538	6802	537	2187	3389	4,4
SR.43-1010	1010	524	16707	11747	7582	589	2636	4084	4,7
SR.43-1090	1090	562	18390	12962	8366	642	3126	4843	5,1
SR.43-1170	1170	600	20076	14180	9152	694	3658	5667	5,5
SR.43-1250	1250	638	21764	15401	9941	747	4231	6556	5,9
SR.43-1330	1330	690	22347	15743	10161	782	4637	7184	6,3
SR.43-1410	1410	728	24032	16960	10947	834	5280	8180	6,6
SR.43-1490	1490	766	25719	18180	11734	887	5965	9241	7,0
SR.43-1570	1570	804	27409	19402	12523	939	6691	10367	7,4
SR.43-1650	1650	842	29100	20626	13313	992	7460	11557	7,8
SR.43-1730	1730	880	30793	21852	14105	1044	8270	12813	8,1
SR.43-1810	1810	918	32488	23080	14897	1097	9122	14132	8,5
SR.43-1890	1890	970	33053	23403	15106	1132	9713	15048	8,9
SR.43-1970	1970	1008	34745	24628	15896	1184	10634	16476	9,3