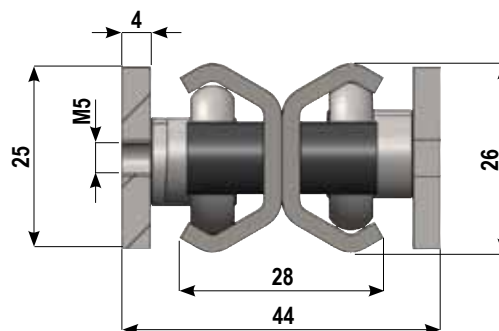


Fixing hole position of sliders

Type	A	B	D	E
TQA.26	14	25	30	28
TQA.40	0	7,5	120	0

Code	Lenght. L (mm)	Stroke H (mm)	Distance sliders M (mm)	T (mm)	Load capacity Co rad (N)	Load capacity Co ax (N)
TQA.26-400	400	400	172	62	417	208
TQA.26-450	450	450	197	87	465	232
TQA.26-500	500	500	222	112	503	251
TQA.26-550	550	550	247	137	533	262
TQA.26-600	600	600	272	162	513	243
TQA.26-650	650	650	297	187	479	227
TQA.26-700	700	700	322	212	450	213
TQA.26-750	750	750	347	237	424	201
TQA.26-800	800	800	372	262	400	190
TQA.26-850	850	850	397	287	379	180
TQA.26-900	900	900	422	312	361	171
TQA.26-1000	1000	1000	472	362	328	156
TQA.26-1100	1100	1100	522	412	301	143
TQA.26-1200	1200	1200	572	462	278	132

TQAZ26, TQAX26

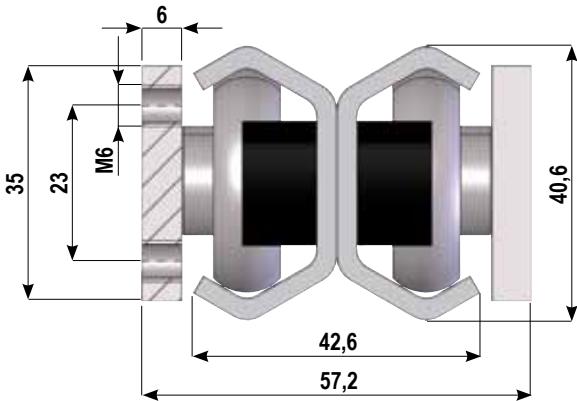


Weight of the 4 sliders: 0,4 kg
Weight of the rail: 1,5 kg/m

The TQAX are complete INOX slides, same dimensions and performances as standard steel version TQAZ . Load capacity indicated for single slide.

Steel/inox roller telescopic slides TQAZ, TQAX

TQAZ40, TQAX40*

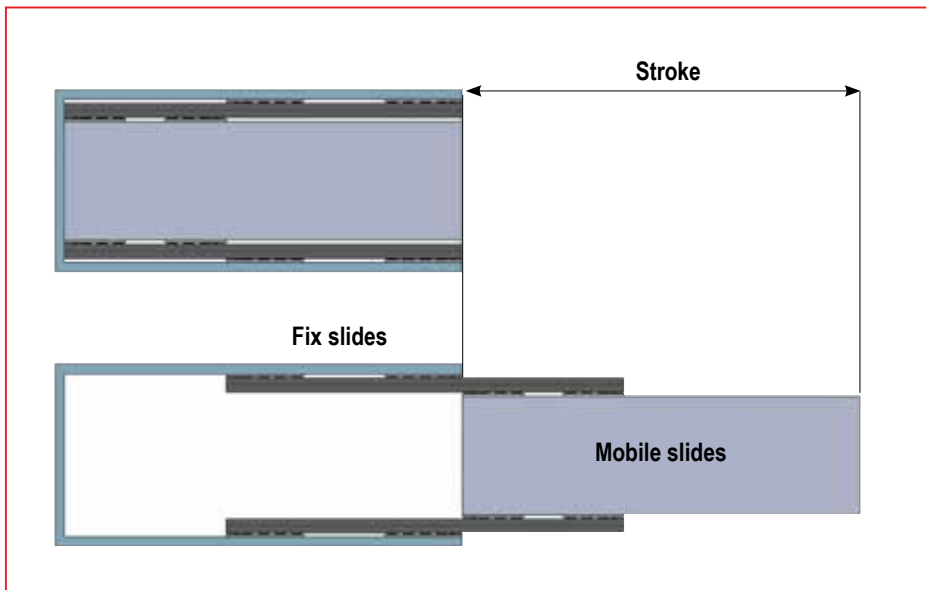


Weight of the 4 sliders: 1,6 kg
Weight of the rail: 3,2 kg/m

The TQAX are complete INOX slides, same dimensions and performances as standard steel version TQAZ. Load capacity indicated for single slide.

* on demand

Code	Lenght. L (mm)	Stroke H (mm)	Distance sliders M (mm)	T (mm)	Load capacity Co rad (N)	Load capacity Co ax (N)
TQA.40-600	600	600	300	45	991	495
TQA.40-650	650	650	325	70	1043	521
TQA.40-700	700	700	350	95	1087	543
TQA.40-750	750	750	375	120	1125	525
TQA.40-800	800	800	400	145	1157	497
TQA.40-850	850	850	425	170	1113	471
TQA.40-900	900	900	450	195	1059	449
TQA.40-1000	1000	1000	500	245	966	409
TQA.40-1100	1100	1100	550	295	888	376
TQA.40-1200	1200	1200	600	345	821	348
TQA.40-1300	1300	1300	650	395	764	323
TQA.40-1400	1400	1400	700	445	714	302
TQA.40-1500	1500	1500	750	495	670	284
TQA.40-1600	1600	1600	800	545	632	267



The slide must be installed with the mark "Up-side" facing upwards.

The slides fixed to structure are marked "Fix-slides" while the once fixed to mobile part are marked "Mobile slides". When used in pair, the same slide can be installed left or right, just by rotating the slide 180degrees horizontally, keeping the mark "Up-side" facing upwards.

