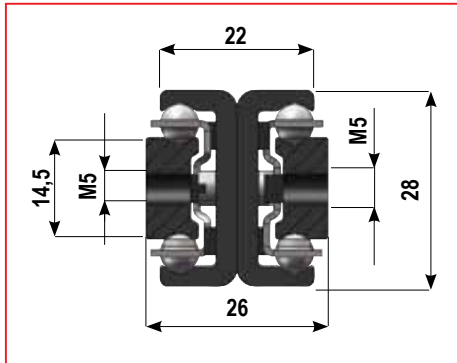
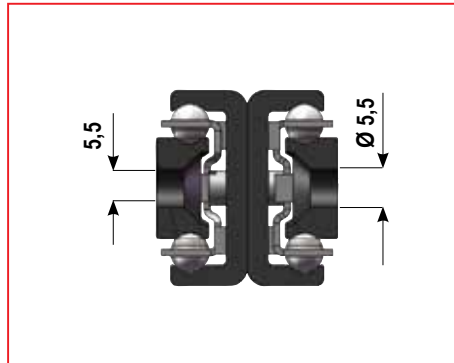


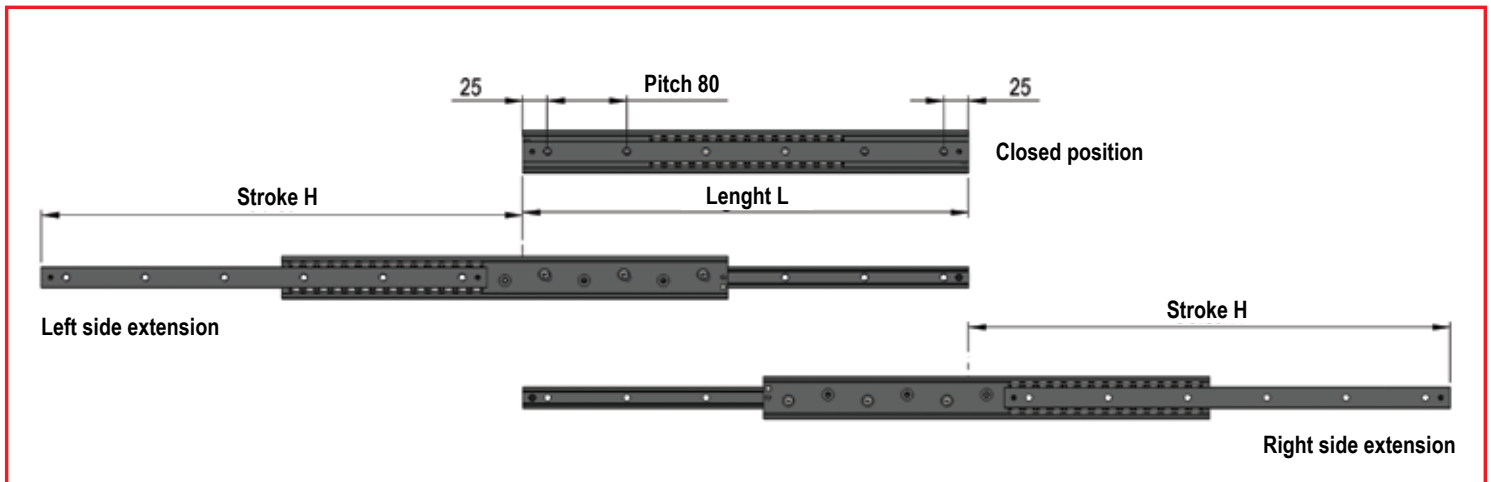
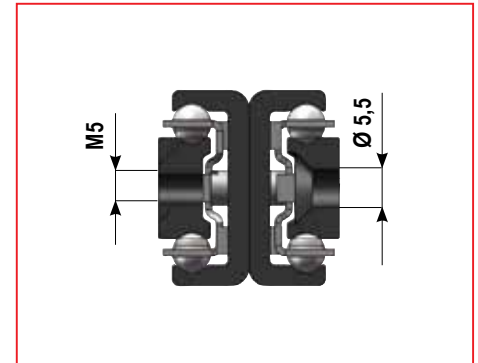
TSQ.28 standard
Threaded holes both sides.



TSQ.28S version
C'sunk fixing holes both sides.



TSQ.28M version
C'sunk fixing holes and other side with threaded fixing holes.



Code	Lenght L (mm)	Stroke H (mm)	Coeff. dynamic C (N)	Load capacity Co rad (N)	Load capacity Co ax (N)	Weight (kg)
TSQ.28.-130	130	136	392	259	151	0,4
TSQ.28.-210	210	224	685	454	265	0,7
TSQ.28.-290	290	312	979	649	379	1,1
TSQ.28.-370	370	400	1273	844	358	1,4
TSQ.28.-450	450	470	1759	1173	316	1,7
TSQ.28.-530	530	558	2051	1037	266	2
TSQ.28.-610	610	628	2547	944	242	2,3
TSQ.28.-690	690	716	2839	825	211	2,6
TSQ.28.-770	770	786	3340	765	196	2,9
TSQ.28.-850	850	874	3630	685	175	3,2
TSQ.28.-930	930	944	4134	643	165	3,5
TSQ.28.-1010	1010	1032	4422	585	150	3,8
TSQ.28.-1090	1090	1120	4712	537	138	4,1
TSQ.28.-1170	1170	1190	5217	511	131	4,4

The slide TSQX28 offers high corrosion resistance, with all components in INOX, except the rails. The TSQX28 have same dimensions and performance as standard version TSQ28.

Order code ex. :

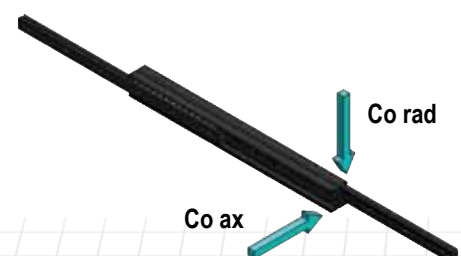
TSQ28-610 standard slide with single stroke, fixing holes all threaded.
TSQX28S-610 slide with single stroke and high corrosion resistance.

NB. All versions can perform double stroke of equal stroke, just by removing the two small screws at both ends. No separate coding for double stroke versions

The nominal load capacities in table, are all related to centered load position P, in the middle of the slide. For applications with load in other positions, please refer to page 26.

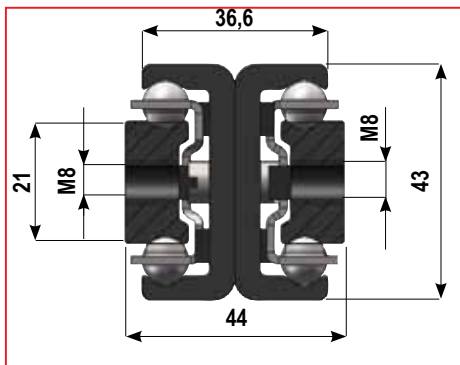
Load capacities are indicated per single slide.

For flexion f in relation to applied load and its position, please refer to page 28.

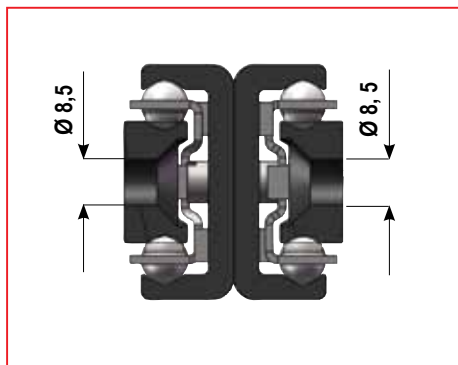


Ball-cage telescopic slides TSQ43, TSQX43

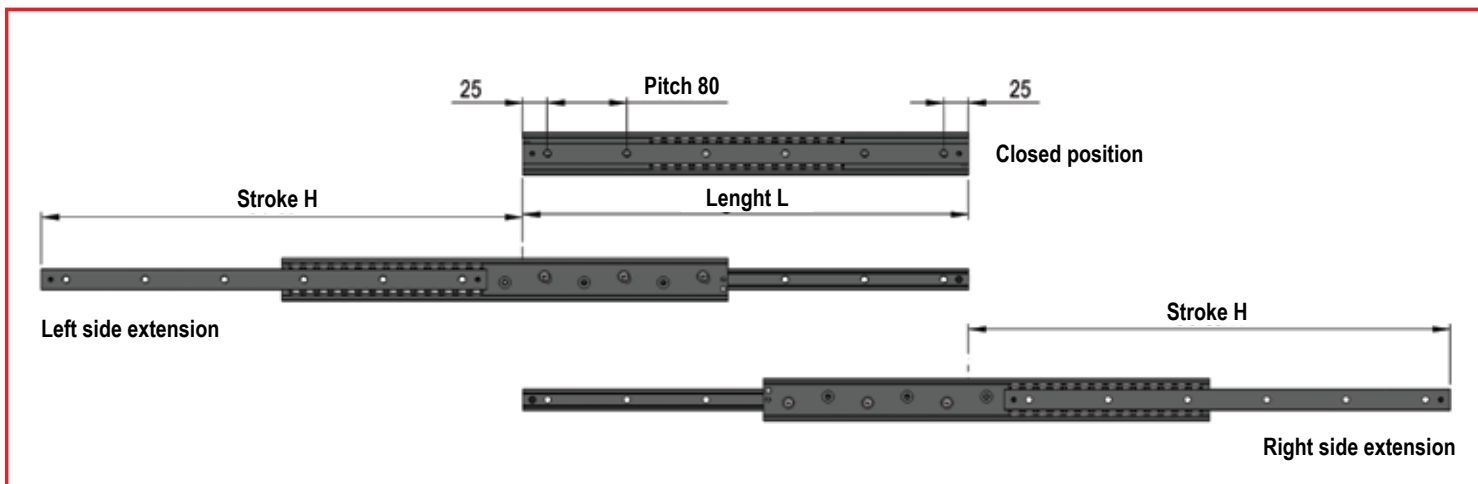
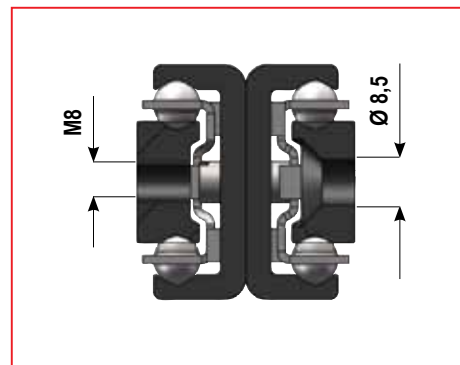
TSQ.43 standard
Threaded holes both sides.



TSQ.43S version
C'sunk fixing holes both sides.



TSQ.43M version
C'sunk fixing holes and other side with threaded fixing holes.



Code	Lenght L (mm)	Stroke H (mm)	Coeff. dynamic C (N)	Load capacity Co rad (N)	Load capacity Co ax (N)	Weight (kg)
TSQ.43.-210	210	236	968	636	410	1,9
TSQ.43.-290	290	312	1657	1098	709	2,7
TSQ.43.-370	370	416	1891	1246	804	3,4
TSQ.43.-450	450	492	2583	1710	1104	4,2
TSQ.43.-530	530	568	3289	2187	1105	4,9
TSQ.43.-610	610	644	4005	2670	992	5,7
TSQ.43.-690	690	720	4727	3158	901	6,4
TSQ.43.-770	770	824	4924	2733	774	7,2
TSQ.43.-850	850	900	5642	2532	717	7,9
TSQ.43.-930	930	976	6363	2359	668	8,7
TSQ.43.-1010	1010	1052	7088	2208	625	9,4
TSQ.43.-1090	1090	1128	7816	2075	587	10,2
TSQ.43.-1170	1170	1204	8545	1957	554	10,9
TSQ.43.-1250	1250	1280	9277	1852	524	11,7
TSQ.43.-1330	1330	1384	9450	1690	478	12,4
TSQ.43.-1410	1410	1460	10178	1611	456	13,2
TSQ.43.-1490	1490	1536	10908	1539	436	13,9
TSQ.43.-1570	1570	1612	11639	1473	417	14,7
TSQ.43.-1650	1650	1688	12371	1413	400	15,4
TSQ.43.-1730	1730	1764	13104	1357	384	16,2
TSQ.43.-1810	1810	1840	13838	1306	370	16,9
TSQ.43.-1890	1890	1944	14001	1223	346	17,7
TSQ.43.-1970	1970	2020	14733	1181	334	18,4

The slide TSQX43 offers high corrosion resistance, with all components in INOX, except the rails. The TSQX43 have same dimensions and performance as standard version TSQ43.

Order code ex. :

TSQ43-610 standard slide with single stroke, fixing holes all threaded.
TSQX43S-610 slide with single stroke and high corrosion resistance.

NB. All versions can perform double stroke of equal stroke, just by removing the two small screws at both ends. No separate coding for double stroke versions

The nominal load capacities in table, are all related to centered load position P, in the middle of the slide. For applications with load in other positions, please refer to page 26.

Load capacities are indicated per single slide.

For flexion f in relation to applied load and its position, please refer to page 28.

